



COMBiLiFT

Customized Handling Solutions

COMBi[®]-CB

Compact multi-directional forklift



Long Load Handling



Inside Container



Bottom Level Storage



Sliding LP Gas Bottle



- > Handles Palletized & Long Loads
- > Operates Indoors & Outdoors

www.COMBiLiFT.com

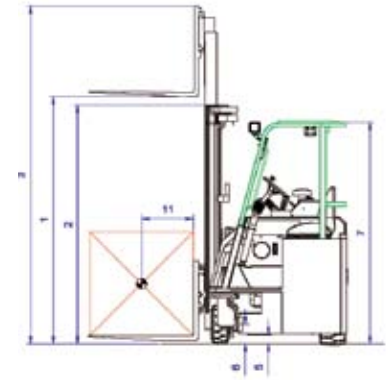


SPECIFICATIONS

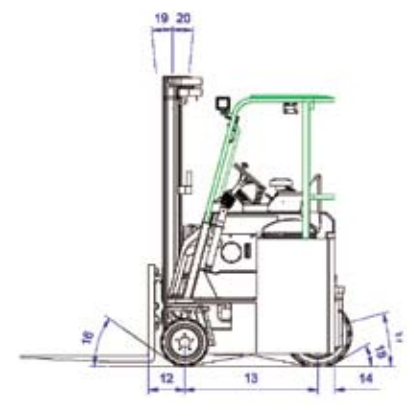
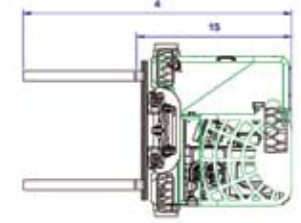
COMBi[®]-CB

Community Design Registration No. 000725668-0001.
Patents Pending.

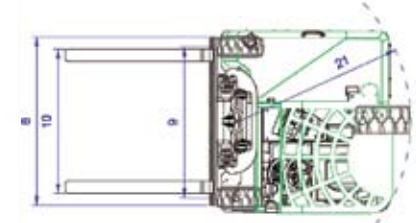
DESCRIPTION		STD	OPTIONAL		
1a	Standard Lift Height	157"	192"	216"	236"
1b	Free Lift Height	0	52"	60"	67"
2	Height Mast Closed	105"	88"	96"	104"
3	Max. (Mast Raised)	190"	228"	251"	270"
4	Overall Length		103"		
5	Ground Clearance Under Mast		5"		
6	Ground Clearance to Wheelbase Centre		4"		
7	Height of Overhead Guard		88 1/2"		
8	Width		59"		
9	Outside Spread of Fork Arms		52 1/2"		
10	Track Front		52"		
11	Load Center Distance		24"		
12	Overhang Front		11 1/2"		
13	Wheel Base		43 1/2"		
14	Overhang Back		5 1/2"		
15	Length From Face of Fork		61"		
16	Approach Angle		30°		
17	Ramp Angle		15°		
18	Departure Angle		30°		
19	Forward Tilt		3°		
20	Backward Tilt		8°		
21	Minimum Outside Radius		59"		
A	Capacity		6000lbs		
B	Unladen Weight		12,900lbs		
C	Maximum Ground Speed		9 mph		
D	Gradability		10%		
E	V1505 Kubota diesel / 3.0L GM LP Gas		43 hp / 65 hp		
F	Electrics		12 Volt		
G	Fork Section		5" x 2" x 42"		
H	16 x 7 - 10.5 Front Rubber Tire x 2		OD 16" x Width 7"		
I	22 x 10 x 16 Rear Rubber Tire x 1		OD 22" x Width 10"		
J	Standard Colour		Green and Grey		
K	Suspension Seat		KAB Model 211		



SIDEWARD MODE



FRONTAL MODE



COMBiLiFT USA

303 Concord Street, Greensboro,
North Carolina 27406

Toll Free: 1 - 877 COMBI 56

Tel: 336 - 378 - 8884 Fax: 336 - 378 - 8842

E: info@combilift.com

FEATURES INCLUDE:

- Open Cabin
- Load Sensing Steering
- 4-way lever positioning of Wheels
- Multi-direction Operation
- 3 Wheel Hydrostatic Drive
- 8" Side Shift
- Automatic Carousel

Distributed by

www.COMBiLiFT.com