



# COMBiLiFT

Customized Handling Solutions

## COMBi<sup>®</sup>-CB8

Compact multi-directional forklift



- > Handles Palletized & Long Loads
- > Operates Indoors & Outdoors

[www.COMBiLiFT.com](http://www.COMBiLiFT.com)

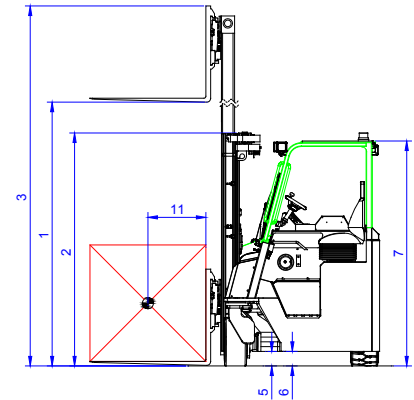


# SPECIFICATIONS

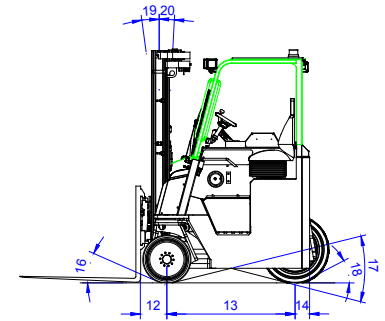
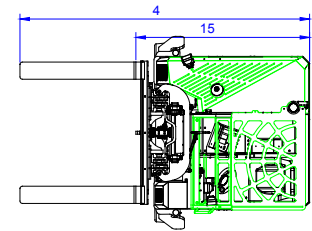
# COMBi<sup>®</sup>-CB8

Protected by Design Registration Copyright: European Community No.: 000725668-0001 | US No.: D579, 624 | Canadian No.: 123292 | Australian No.: 318370 | Russian Federation No.: 70814 | Korean No.: 30-0516087 | Japanese No.: 1330896 | Taiwan No.: D126056 | Chinese No.: ZL200730329732.6

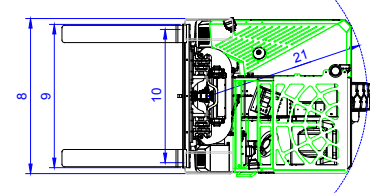
Ref.	DESCRIPTION	STANDARD
1 a	Max. Lift Height	159"
1 b	Free Lift Height	0"
2	Height Mast Closed	114"
3	Max. (Mast raised)	198 ¾"
4	Overall Length	120"
5	Ground Clearance Under Mast	6"
6	Ground Clearance to Wheelbase Center	6"
7	Height of Overhead Guard	92 ¾"
8	Width	64"
9	Outside Spread of Fork Arms	59"
10	Track Front	55"
11	Load Center Distance	24"
12	Overhang Front	12 ¾"
13	Wheel Base	53 ¼"
14	Overhang Back	6"
15	Length From Face of Fork	72"
16	Approach Angle	30°
17	Ramp Angle	28°
18	Departure Angle	30°
19	Forward Tilt	3°
20	Backward Tilt	8°
21	Minimum Outside Radius	65 ¾"
A	Capacity	8,000lbs
B	Unladen Weight	16,700 lbs
C	Maximum Ground Speed	8 mph
D	Gradeability	10%
E	Kubota V2403-T diesel / 3ltr GM LPG	60 hp / 65 hp
F	Electric's	12 Volt
G	Fork Section	6" x 2" x 48"
H	21 x 9 x 15 Front Tire x 2 (Solid Rubber)	OD 21" / Width 9"
I	28 x 12.5 – 15 Rear Tire x 1 (Super Elastic)	OD 28" / Width 12.5"
L	Standard Color	Green and Grey
K	Deep Suspension Seat	KAB Model 116



SIDEWARD MODE



FRONTAL MODE



### FEATURES INCLUDE:

- Open cabin
- Load sensing steering
- 4-Way lever positioning of wheels
- Multi-direction operation
- 3 Wheel hydrostatic drive
- Integrated Side Shift +/- 4"
- Automatic carousel

Distributed by:

### COMBiLiFT USA

303 Concord Street, Greensboro, North Carolina 27406

Toll Free: 1 - 877 COMBI 56

Tel: 336 - 378 - 8884 Fax: 336 - 378 - 8842

E: info@combilift.com

[www.COMBiLiFT.com](http://www.COMBiLiFT.com)