



# COMBiLiFT

*Customised Handling Solutions*

**C25,000**

*Multi-Directional Forklift*



*Designed to Handle Heavy,  
Long and Awkward Loads.*

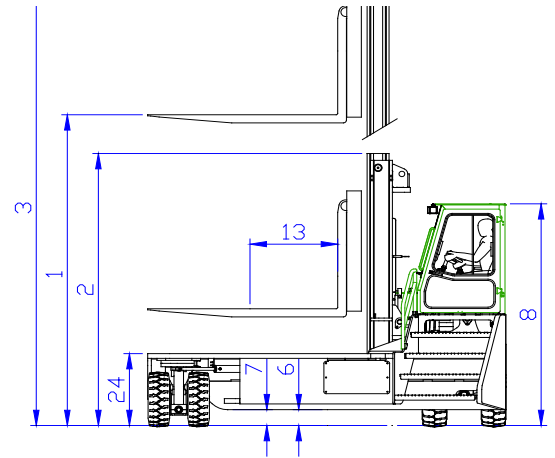
**[www.COMBiLiFT.com](http://www.COMBiLiFT.com)**



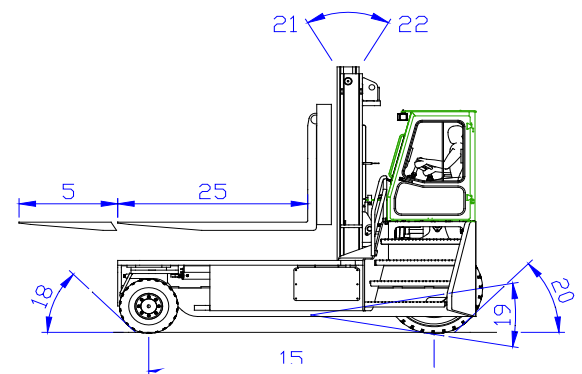
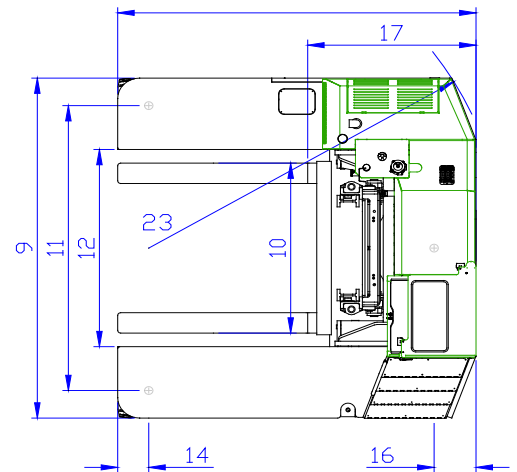
# SPECIFICATIONS

# MODEL C25,000

REF	DESCRIPTION	STANDARD
1 a	Max. Lift Height	4120mm
1 b	Free Lift Height	0mm
2	Height Mast Closed	4000mm
3	Max.(Mast raised)	6000mm
4	Overall Length	4900mm
5	Mast Travel	2700mm
6	Ground Clearance Under Mast	280mm
7	Ground Clearance to Centre of Wheelbase	200mm
8	Height Over Cab (without work-lights)	3200mm
9	Width	5000mm
10	Outside Spread of Fork Arms	2400mm
11	Track Front	4200mm
12	Frame Opening	2900mm
13	Load Centre Distance	1200mm
14	Overhang Front	400mm
15	Wheel Base	3910mm
16	Overhang Back	590mm
17	Length From Face of Fork	2300mm
18	Approach Angle	45°
19	Ramp Angle	20°
20	Departure Angle	45°
21	Forward Tilt	4°
22	Backward Tilt	8°
23	Minimum Outside Radius	4600mm
24	Platform Height	1060mm
25	Platform Length	2600mm
A	Capacity	25,000 kg
B	Unladen Weight	35,000 kg
C	Maximum Ground Speed	19 Km/h
D	Gradeability	10%
E	John Deere Diesel 6068HF	127 kW (170HP)
F	Electric's	12 Volt
G	Fork Section	120 x 300 x 2600mm
H	14.00 – 24 Rear Tyre (Super Elastic) x 2	OD 1313mm / Width 405mm
I	355/65-15 Front Tyre (Super Elastic) x 4	OD 823mm / Width 355mm
J	Standard Colour	Green and Grey
K	Suspension Seat	KAB Model 116



**SIDEWARD MODE**



**FORWARD MODE**

**COMBiLiFT**

Co. Monaghan  
Ireland

T: +353 47 80500

F: +353 47 80501

E: info@combilift.com

[www.COMBiLiFT.com](http://www.COMBiLiFT.com)

Distributed by

**FEATURES INCLUDE:**

- Hydraulic Mounted Cabin
- Multi-Direction Operation
- 4 Wheel Hydrostatic Drive
- +/- 150mm Integrated Side-shift
- 4 Way Lever Positioning of Wheels
- Hydraulic Fork Positioner
- Hydraulic Oil Cooler