



COMBiLiFT

Customized Handling Solutions

C6000 GT

making short work of long loads



The C6000 GT can operate outdoor on semi-rough terrain as well as indoors.



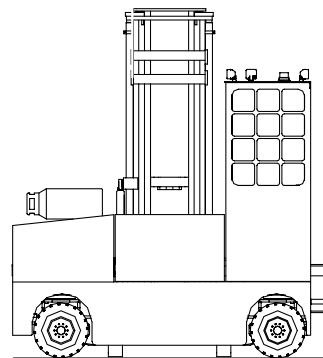
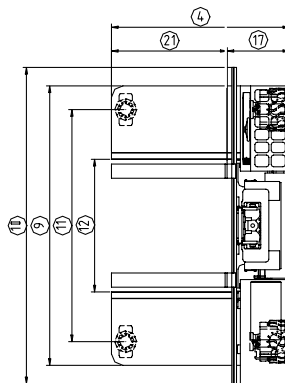
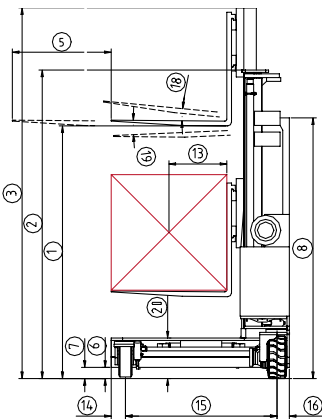
indoor outdoor narrow aisle solutions



SPECIFICATIONS

Model C6000 GT

| REF | DESCRIPTION | 24" | 30" | 36" | 42" | 48" | 54" | 60" |
|-----|---|--------------|--------------|--------------|--------------|--------------|--------------|--------------|
| 1a | Lift Height | 248" | 248" | 248" | 248" | 248" | 248" | 248" |
| 1b | Free Lift Height | 104" | 104" | 104" | 104" | 104" | 104" | 104" |
| 2 | Height Mast Closed | 157" | 157" | 157" | 157" | 157" | 157" | 157" |
| 3 | Max.(Mast raised) | 303" | 303" | 303" | 303" | 303" | 303" | 303" |
| 4 | Overall Length | 50" | 56" | 62" | 68" | 74" | 80" | 86" |
| 5 | Mast Travel | 26" | 32" | 38" | 44" | 50" | 56" | 62" |
| 6 | Ground Clearance Under Mast | 5" | 5" | 5" | 5" | 5" | 5" | 5" |
| 7 | Ground Clearance to Centre of Wheelbase | 5" | 5" | 5" | 5" | 5" | 5" | 5" |
| 8 | Height Over Cab (without work-lights) | 114" | 114" | 114" | 114" | 114" | 114" | 114" |
| 9 | Width Across Platforms | 116" | 116" | 116" | 116" | 116" | 116" | 116" |
| 10 | Outside Spread of Fork Arms | 131½" | 131½" | 131½" | 131½" | 131½" | 131½" | 131½" |
| 11 | Wheelbase | 90½" | 90½" | 90½" | 90½" | 90½" | 90½" | 90½" |
| 12 | Frame Opening | 55" | 55" | 55" | 55" | 55" | 55" | 55" |
| 13 | Load Centre Distance | 12" | 15" | 18" | 21" | 24" | 24" | 24" |
| 14 | Overhang Front | 6" | 6" | 6" | 6" | 6" | 6" | 6" |
| 15 | Track | 38" | 44" | 50" | 56" | 62" | 68" | 74" |
| 16 | Overhang Back | 6" | 6" | 6" | 6" | 6" | 6" | 6" |
| 17 | Length From Face of Fork | 26" | 26" | 26" | 26" | 26" | 26" | 26" |
| 18 | Forward Fork Tilt | 3° | 3° | 3° | 3° | 3° | 3° | 3° |
| 19 | Backward Fork Tilt | 4½° | 4½° | 4½° | 4½° | 4½° | 4½° | 4½° |
| 20 | Platform Height With Front Lowered | 16½" | 16½" | 16½" | 16½" | 16½" | 16½" | 16½" |
| 21 | Platform Length | 24" | 30" | 36" | 42" | 48" | 54" | 60" |
| A | Capacity | 6000 lbs | 6,000 lbs | 6,000 lbs | 6,000 lbs | 6,000 lbs | 6,000 lbs | 6,000 lbs |
| B | Unladen Weight | 18,000 lbs | 18,500 lbs | 19,000 lbs | 19,500 lbs | 20,000 lbs | 20,500 lbs | 21,000 lbs |
| C | Maximum Ground Speed | 7½ mph | 7½ mph | 7½ mph | 7½ mph | 7½ mph | 7½ mph | 7½ mph |
| D | Gradability | 10% | 10% | 10% | 10% | 10% | 10% | 10% |
| E | 3 Ltr GM LPG | 65 hp | 65 hp | 65 hp | 65 hp | 65 hp | 65 hp | 65 hp |
| F | Electric's | 12 Volt | 12 Volt | 12 Volt | 12 Volt | 12 Volt | 12 Volt | 12 Volt |
| G | Fork Section (2"x 6" x) | 24" | 30" | 36" | 42" | 48" | 54" | 60" |
| H | 350/150-280 Front Tyre (Solid) x 2 | 14"/ 6" | 14"/ 6" | 14"/ 6" | 14"/ 6" | 14"/ 6" | 14"/ 6" | 14"/ 6" |
| I | 23 x 10 - 12 Rear Tyre (Super Elastic) x 2 (OD/Width) | 23"/ 10" | 23"/ 10" | 23"/ 10" | 23"/ 10" | 23"/ 10" | 23"/ 10" | 23"/ 10" |
| J | Standard Colour | Green & Grey | Green & Grey | Green & Grey | Green & Grey | Green & Grey | Green & Grey | Green & Grey |



FEATURES INCLUDE:

- Rubber Mounted Overhead Guard
- Load Sensing Steering
- Tilting Chassis +/- 1/2" At Front
- 4 Wheel Steering
- 2 Wheel Hydrostatic Drive
- Hydraulic Oil Cooler

COMBiLiFT Ltd

Co.Monaghan
Ireland

Tel: 011 353 47 80500

Fax: 011 353 47 80501

COMBiLiFT USA

303 Concord Street, Greensboro
North Carolina 27406

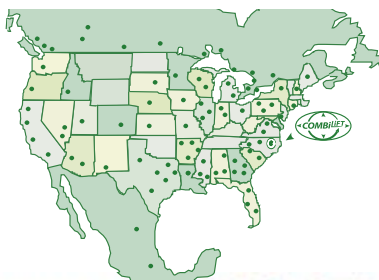
Toll Free: 1-877 COMBI 56

Tel: 336-378-8884

Fax: 336-378-8842

info@combilift.com

Distributed By



Combilift has a policy of continuous product development and reserves the right to alter specifications without prior notice. Specifications and/or dimensions may vary from those illustrated in some countries.

www.COMBiLiFT.COM