



COMBiLiFT

Customised Handling Solutions

COMBi[®]-CB4

Compact multi-directional forklift



- > Handles Palletised & Long Loads
- > Operates Indoors & Outdoors

www.COMBiLiFT.com

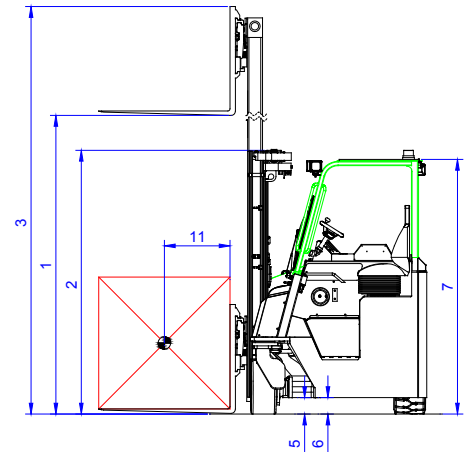


SPECIFICATIONS

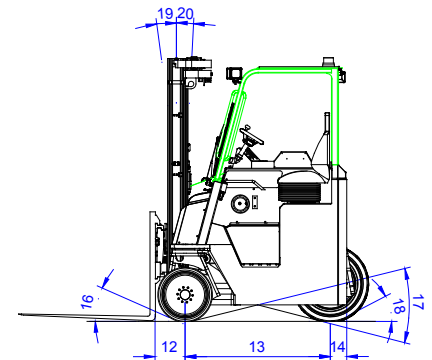
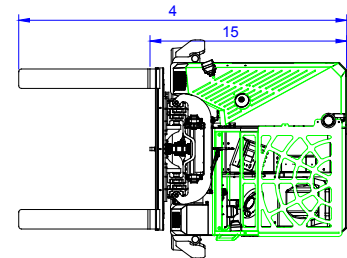
COMBi[®]-CB4

Protected by Design Registration Copyright: *European Community No.: 000725668-0001 | US No.: D579, 624 | Canadian No.: 123292 | Australian No.: 318370 | Russian Federation No.: 70814 | Korean No.: 30-0516087 | Japanese No.: 1330896 | Taiwan No.: D126056 | Chinese No.: ZL200730329732.6*

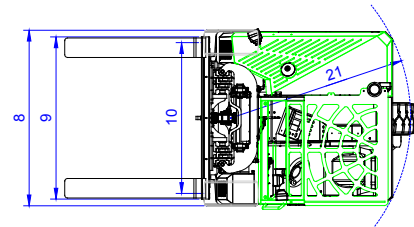
Ref.	DESCRIPTION	STANDARD
1 a	Max. Lift Height	4040mm
1 b	Free Lift Height	0mm
2	Height Mast Closed	2900mm
3	Max. (Mast raised)	5050mm
4	Overall Length	3028mm
5	Ground Clearance Under Mast	152mm
6	Ground Clearance to Wheelbase Centre	152mm
7	Height of Overhead Guard	2356mm
8	Width	1624mm
9	Outside Spread of Fork Arms	1500mm
10	Track Front	1395mm
11	Load Centre Distance	600mm
12	Overhang Front	325mm
13	Wheel Base	1350mm
14	Overhang Back	153mm
15	Length From Face of Fork	1828mm
16	Approach Angle	30°
17	Ramp Angle	28°
18	Departure Angle	30°
19	Forward Tilt	5°
20	Backward Tilt	7°
21	Minimum Outside Radius	1670mm
A	Capacity	4000 kg
B	Unladen Weight	7850 kg
C	Maximum Ground Speed	13 Km/h
D	Gradeability	10%
E	Kubota V2403-T diesel / 3ltr GM LPG	44kW / 48kW
F	Electric's	12 Volt
G	Fork Section	150 x 50 x 1200mm
H	20 x 9 x 16 Front Tyre x 2 (Solid Rubber)	OD 508 / Width 229
I	28 x 12.5 – 15 Rear Tyre x 1 (Super Elastic)	OD 711 / Width 318
J	Standard Colour	Green and Grey
K	Suspension Seat	KAB Model 211



SIDEWARD MODE



FRONTAL MODE



FEATURES INCLUDE:

- Open cabin
- Load sensing steering
- 4-Way lever positioning of wheels
- Multi-direction operation
- 3 Wheel hydrostatic drive
- 200mm side shift
- Automatic carousel

Distributed by:

COMBiLiFT

Co. Monaghan
Ireland

T: +353 47 80500

F: +353 47 80501

E: info@combilift.com

www.COMBiLiFT.com