



COMBiLiFT

C5000 XL

Customised Handling Solution



Wider Cab for increased Operator Comfort



three machines in one

Counterbalance Forklift > Aisle Truck > Side Loader

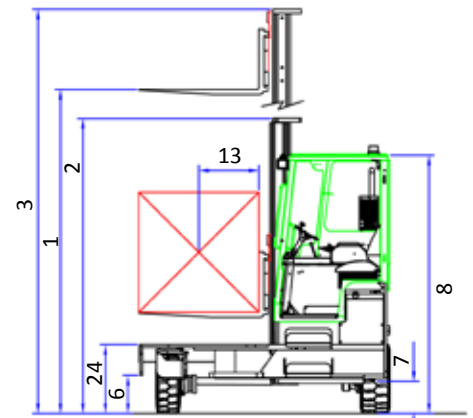
www.COMBiLiFT.com



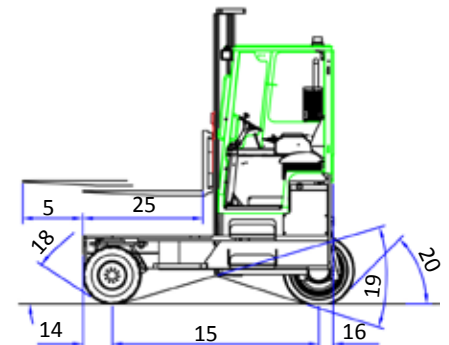
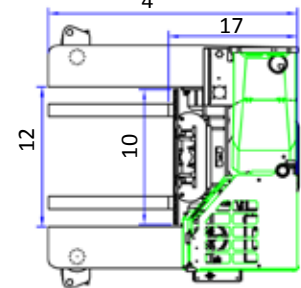
SPECIFICATIONS

MODEL C5000 XL

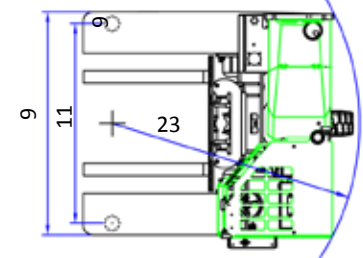
REF	DESCRIPTION	Standard
1a	Standard Lift Height	4040 mm
1b	Free Lift Height	0mm
2	Height Mast Closed	2990mm
3	Max. (Mast Raised)	5005mm
4	Overall Length	2500mm
5	Mast Travel	1340mm
6	Ground Clearance Under Mast	280mm
7	Ground Clearance to Wheelbase Centre	270mm
8	Height Over Cab or of Overhead Guard	2590mm
9	Width	2235mm
10	Outside Spread of Fork Arms	1350mm
11	Track Front	1995mm
12	Frame Opening	1400mm
13	Load Centre Distance	600mm
14	Overhang Front	290mm
15	Wheel Base	2070mm
16	Overhang Back	140mm
17	Length from Face of Fork	1300mm
18	Approach Angle	45 °
19	Ramp Angle	29 °
20	Departure Angle	45 °
21	Forward Tilt	3 °
22	Backward Tilt	5 °
23	Minimum Outside Radius	2490mm
24	Platform Height	680mm
25	Platform Length	1200mm
A	Capacity	5000kg
B	Unladen Weight	6800kg
C	Maximum Ground Speed	15km/h
D	Gradeability	15%
E	Kubota V2403 T Diesel/ 3 ltr GM LPG	44kW/ 48kW
F	Electric's	12 Volt
G	Fork Section	50 x 150 x 1200mm
H	23 x 10-12 Front Tyre	OD 580mm / Width 240mm
I	28 x 12.5 - 15 Rear Tyre	OD 720mm/ Width 295mm
J	Standard Colour	Green and Grey
K	Suspension Seat	KAB Model 116



SIDEWARD MODE



FORWARD MODE



FEATURES INCLUDE:

- Rubber Mounted Half Open Cabin
- Multi-Direction Operation
- 3 Wheel Hydrostatic Drive
- Load Sensing Steering
- 4 Way Lever Positioning of Wheels
- Hydraulic Oil Cooler

Distributed by

COMBiLiFT

Co. Monaghan
Ireland

T: +353 47 80500

F: +353 47 80501

E: info@combilift.com

www.COMBiLiFT.com