



# COMBiLiFT

## C6000-C8000

*Customised Handling Solution*



**three machines in one**

*Counterbalance Forklift > Aisle Truck > Side Loader*

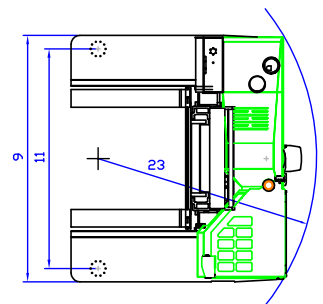
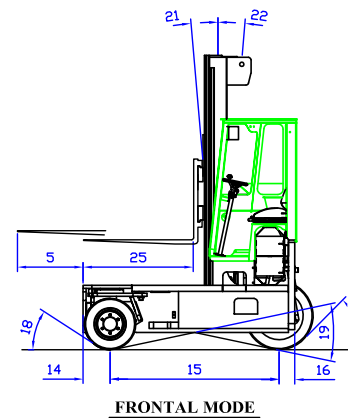
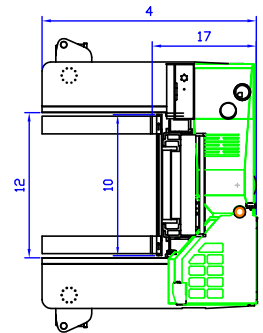
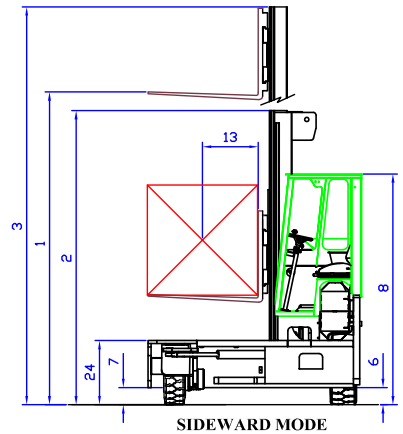
[www.COMBiLiFT.com](http://www.COMBiLiFT.com)



# SPECIFICATIONS

# MODEL C6000-C8000

REF	DESCRIPTION	C6000	C8000
1a	Standard Lift Height		4536 mm
1b	Free Lift Height		0mm
2	Height Mast Closed		3430mm
3	Max. (Mast Raised)		5931mm
4	Overall Length	2430mm	2670mm
5	Mast Travel	1290mm	1530mm
6	Ground Clearance Under Mast		290mm
7	Ground Clearance to Wheelbase Centre		165mm
8	Height Over Cab or of Overhead Guard		2590mm
9	Width		2800mm
10	Outside Spread of Fork Arms		1600mm
11	Track Front		2500mm
12	Frame Opening		1650mm
13	Load Centre Distance		600mm
14	Overhang Front		307mm
15	Wheel Base	1915mm	2155mm
16	Overhang Back		208 mm
17	Length from Face of Fork		1180mm
18	Approach Angle		45 °
19	Ramp Angle		29 °
20	Departure Angle		45 °
21	Forward Tilt		3 °
22	Backward Tilt		5 °
23	Minimum Outside Radius	2540 mm	2765 mm
24	Platform Height		750mm
25	Platform Length	1250mm	1490mm
A	Capacity	6000kg	8000kg
B	Unladen Weight	10430kg	10950kg
C	Maximum Ground Speed		15km/h
D	Gradeability		15%
E	Diesel / LPG Water Cooled Engine		72kW/ 72kW
F	Electric's		12 Volt
G	Fork Sections 50mm x 200mm x	1250mm	1490mm
H	23 x 10 - 12 Front Tyre		OD580mm / Width 240mm
I	400 / 60 - 15 Rear Tyre		OD 825mm/ Width 326mm
J	Standard Colour		Green and Grey
K	Suspension Seat		KAB Model 211



## FEATURES INCLUDE:

- Rubber Mounted Half Open Cabin
- Multi-Direction Operation
- 3 Wheel Hydrostatic Drive
- Load Sensing Steering
- 4 Way Lever Positioning of Wheels
- Hydraulic Oil Cooler

Distributed by:

**COMBiLiFT**

Co. Monaghan  
Ireland

T: +353 47 80500

F: +353 47 80501

E: info@combilift.com

[www.COMBiLiFT.com](http://www.COMBiLiFT.com)